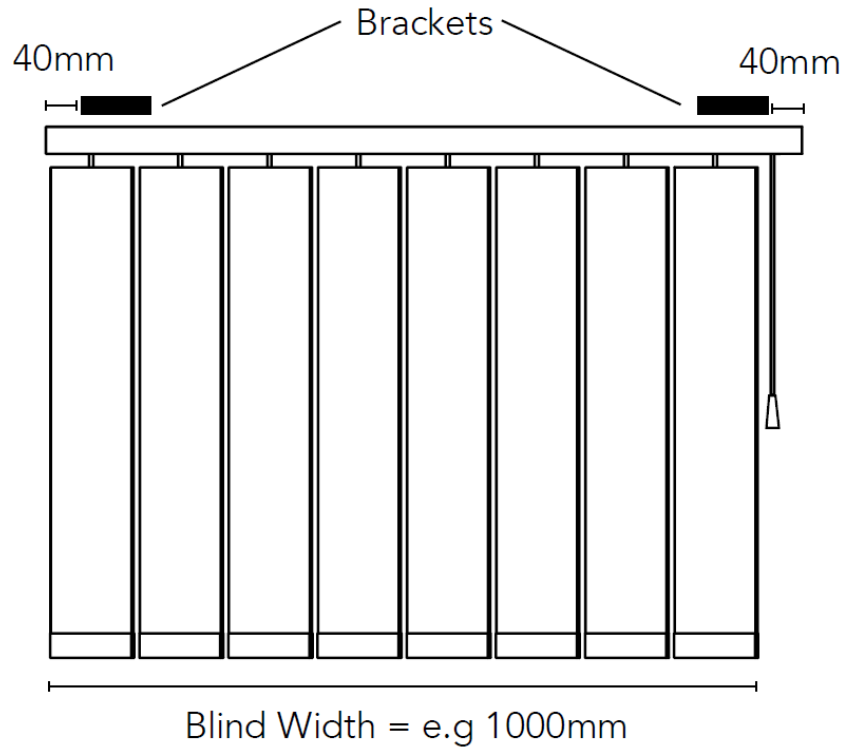

Place a bracket at 40mm from either side of the rail. Distribute any remaining brackets evenly along the rail.



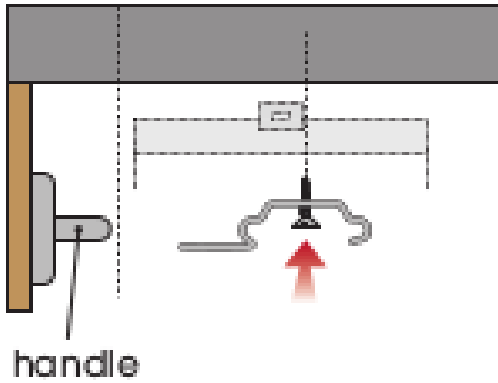
During your ordering process you will have decided whether to use top fix or face fix brackets.

Up to 1m = 2 brackets

1m – 2m = 3 brackets

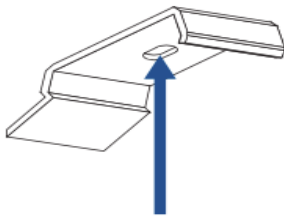
2m – 3m = 4 brackets

Over 3m = 5 brackets.



When using top fix brackets, please ensure the distance from the edge of the brackets are at least 55mm away from the surface behind the rail. This allows the louvres to rotate freely without obstruction from the window or wall.

Top Fix

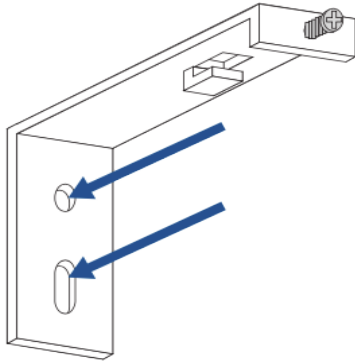


To top fix your blinds, apply the brackets to the top surface of the recess using one screw.

Before applying the headrail, make sure that your controls are on the same side as you requested upon ordering. Tilt the track and insert the front lip of the headrail onto the front lip of the bracket and push up until it clicks into position.

Repeat the process with each bracket.

Face Fix

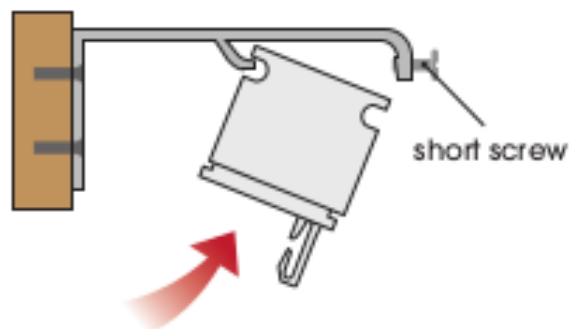


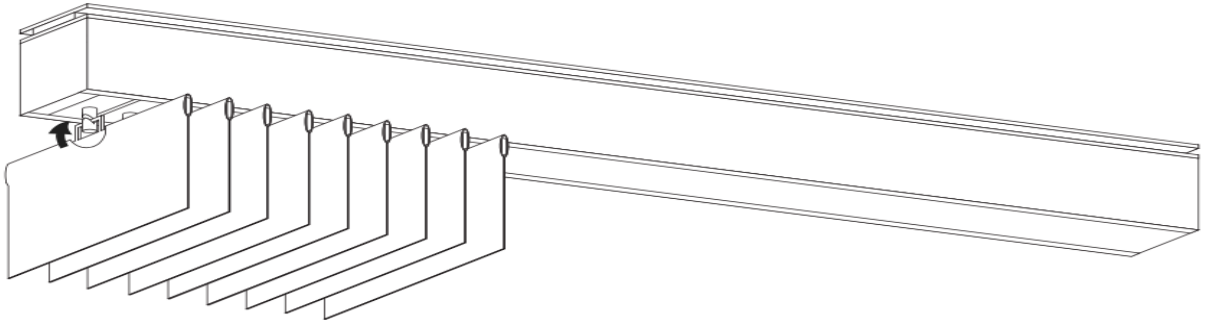
Face fixing your brackets means you will be applying them to the facing surface around the window using two screws.

Before applying your headrail, make sure that your controls are on the same side as you requested upon ordering. Tilt the track to insert the back of the headrail onto the bracket, push into position and tighten the screw to lock the track into place.

Repeat the process with each bracket.

The diagram below gives you a visual representation:





To hang the slats, ensure the hooks are at 90° to the headrail, as per image above. Hook the louvres (slats) onto the rail.

Your vertical blind is fully compliant with the latest safety standards.

It is supplied with a mono control wand that hooks onto the mechanism. To operate, slide the wand to open/close the slats and rotate the wand to tilt the slats.

